

75W constant Voltage-LS Series



Features

- Class II, SELV, Independent
- Input Voltage 220-240VAC
- Protections: SCP/OLP/OVP/OTP
- Power Factor: ≥ 0.95 (Typ.)
- Efficiency: $\geq 88\%$ @12V; $\geq 89\%$ @24V(Typ.)
- 5 years warranty

Applications

- LED strips

■ Approve

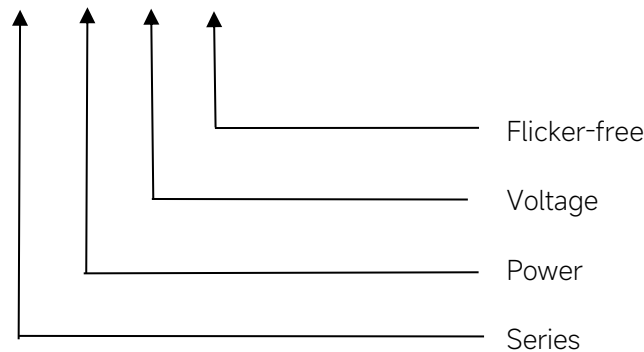


◆ Description

LS-75-XX LI EXC is a 75W constant voltage LED driver that operates from 198-264Vac input with 12V or 24V output voltage. With it's compact dimensions from 168 x 38x 30mm. It is easy to integrate in LED strips products. To ensure trouble-free operation, protection is provided against output short circuit and over Load.

◆ Model code

LS-75-XX LI EXC



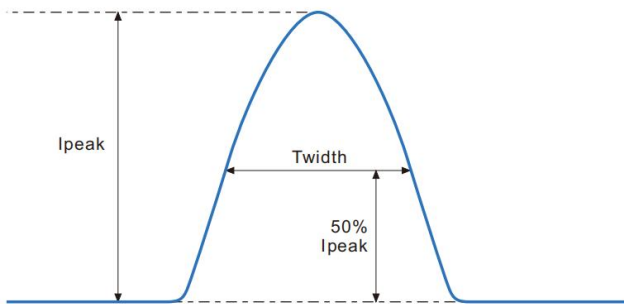
◆ Specification

| | | | |
|-------------|----------------------------------|--|---------------------|
| Output | Constant Voltage | 12VDC | 24VDC |
| | Current Range | 0-6.25A | 0-3.13A |
| | Voltage Accuracy | ±5% | |
| | Output HF current ripple(≥1KHz) | ±1% | |
| | Output LF current ripple(≤120Hz) | ±1% | |
| | SVM | ≤0.4@Full Load | |
| | Pst | ≤1@Full Load | |
| | Efficiency(Typ.) | ≥88%@Full load,230V | ≥89%@Full load,230V |
| Input | Rated input voltage | 220-240VAC | |
| | Range of input voltage | 198-264VAC | |
| | Range input voltage(VDC) | 176-280VDC | |
| | Frequency(Hz) | 0/50/60 Hz | |
| | Displacement factor | ≥0.95 | |
| | Power Factor | ≥0.95@Full load,230V | |
| | Input Current max | 0.49A | |
| | Start-up time | < 0.5S | |
| | No Load Power | ≤0.5W | |
| | THD (Typ.) | < 10%@Full load,230V | |
| Protection | Over Load Protection | 105-150% YES/Auto Resume | |
| | Over Voltage Protection | > 12.6VDC | > 25.2VDC |
| | Short circuit Protection | YES/Auto Resume | |
| | Over Temperature Protection | YES/Auto Resume | |
| capability | Surge capability (L-N) | 1KV | |
| | Surge capability (L/N-Ground) | 2KV | |
| Environment | Operating Temperature | -20°C~+45°C | |
| | Humidity | 20%-90%RH | |
| | Tc | 90°C | |
| | Storage Temperature | -20°C~+60°C | |
| | Life time | > 50000h@Tc=90°C | |
| | Ripple & Noise | ≤25dB(A)@20cm | |
| Surface | Dimension | 168X38X30(LXWXH)mm | |
| | material | PC | |
| Standards | Safety | GB19510. 1, GB19510. 14;IEC61347- 1, IEC61347-2- 13;EN61347- 1, EN61347-2-13;EN62384; | |
| | EMC | GB/T17743, GB17625. 1;EN55015, EN61000-3-2, EN61000-3-3, EN61547;EN61000-4-5;EN61000-4-2,3,4,5,6,8,11, EN61547 | |

| | | |
|------|--|--------------------------------|
| | Energy Efficiency | Erp2.0 EU 2019/2020 |
| | RoHS | RoHS (2011/65/EU) (EU)2015/863 |
| Note | 1.All parameters NOT specially mentioned are measured at 240VAC input , full load and 25°C of ambient temperature. 2.Ripple & Noise are measured at 20MHz of bandwidth by using a 300mm twisted pair-wire terminated with a 0.1uF & 47 uF parallel capacitor. 3.Switch and dimmer are not recommended to connect between this product output and luminaries. | |

◆ Inrush Current

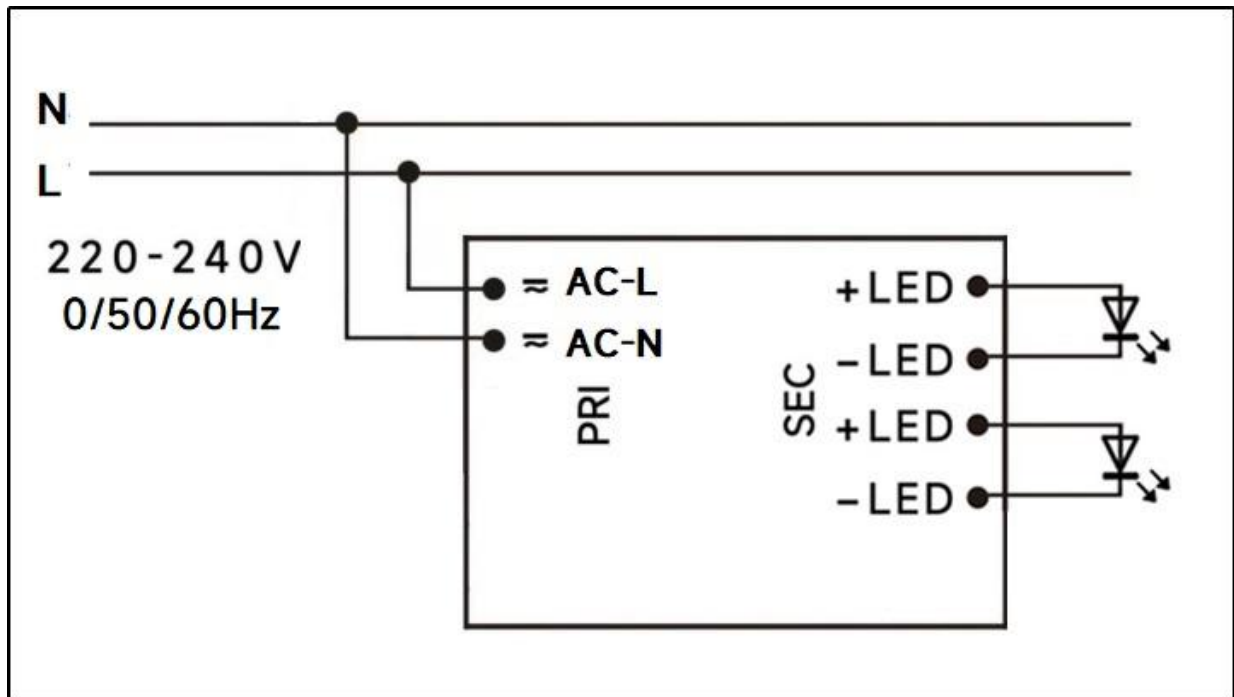
| I _{peak} | T _{width} | B10 | B16 | B20 | C10 | C16 | C20 |
|-------------------|--------------------|------|-------|-------|-------|-------|-------|
| 44A | 192μs | 9pcs | 15pcs | 19pcs | 16pcs | 25pcs | 32pcs |



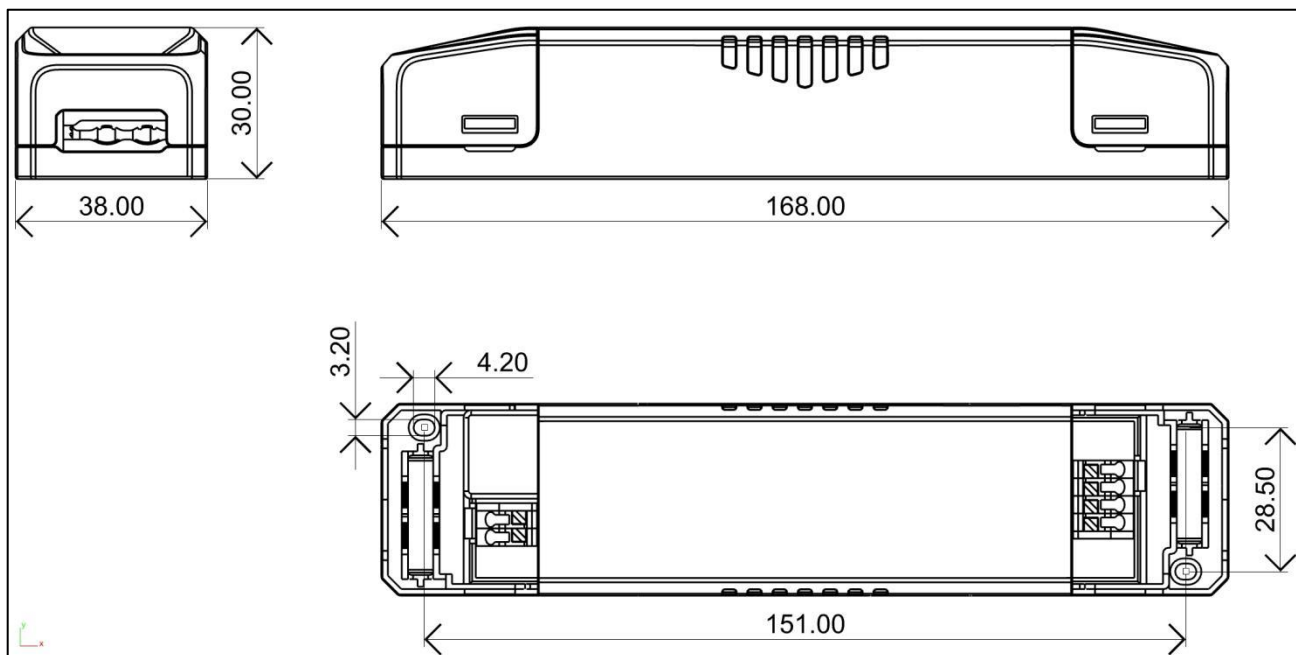
Remarks:

- 1.The number of drives mounted under different MCBs in the table is the maximum value. Please do not exceed this number during installation.
- 2.Different brands and models of miniature circuit breakers, the number of drives mounted will be slightly different.

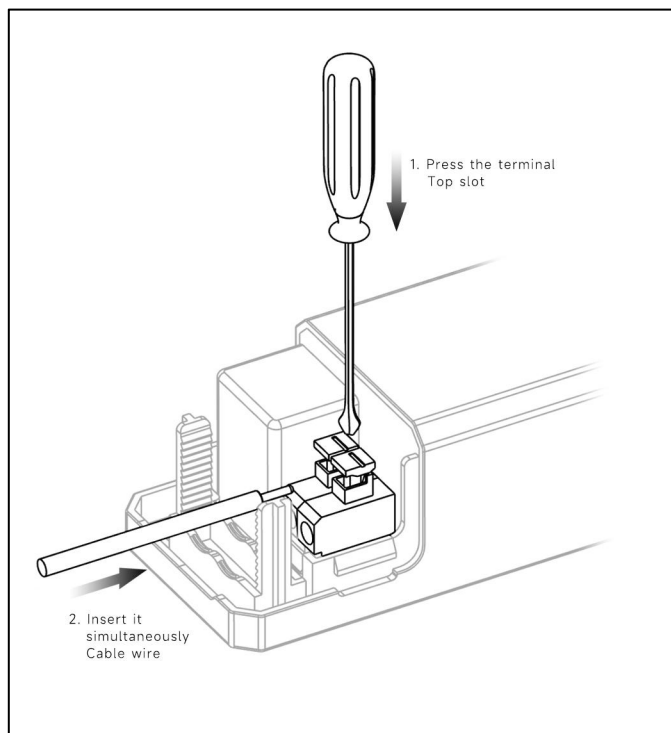
◆ Wiring diagram



◆ 2D diagram



Termina

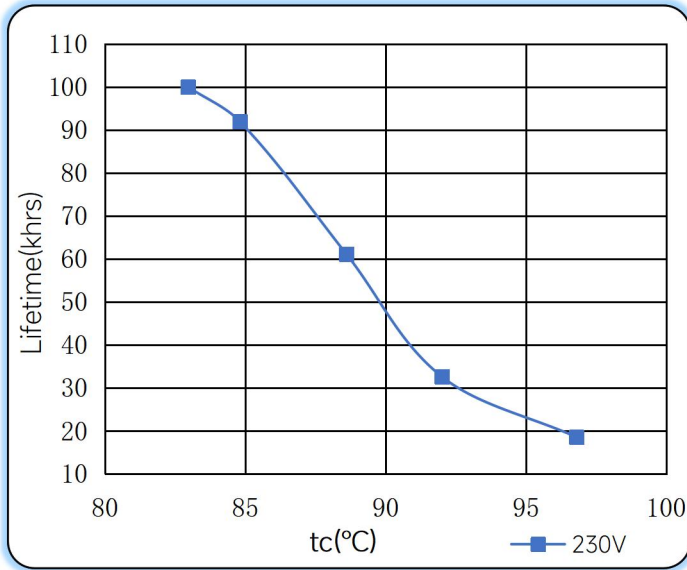


◆ Wiring & Connections

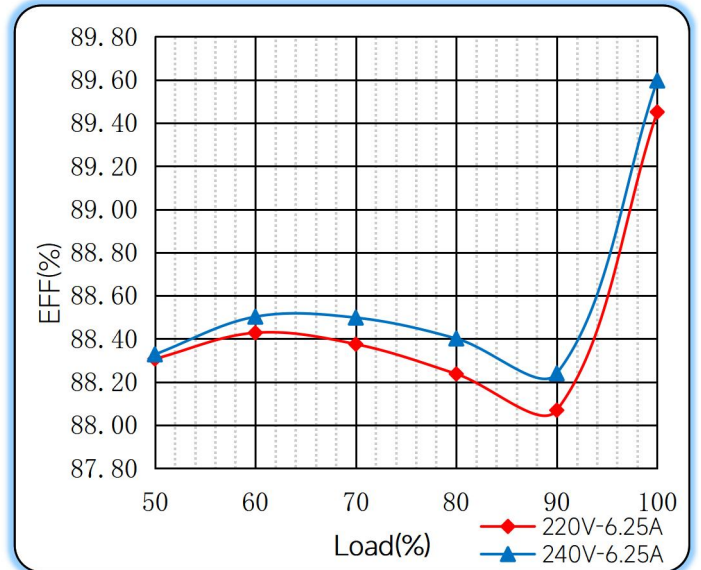
| | Specification item | Value (Unit) |
|--------|---------------------------|---------------------------|
| Input | Input wire cross-section | 0.5...1.5 mm ² |
| | Input wire gauge. | 16...20 AWG |
| | Input wire strip length | 7...9mm |
| Output | Output wire cross-section | 0.5...1.5 mm ² |
| | Output wire gauge. | 16...20 AWG |
| | Output wire strip length | 7...9mm |

◆ Curve for LS-75-12 LI EXC

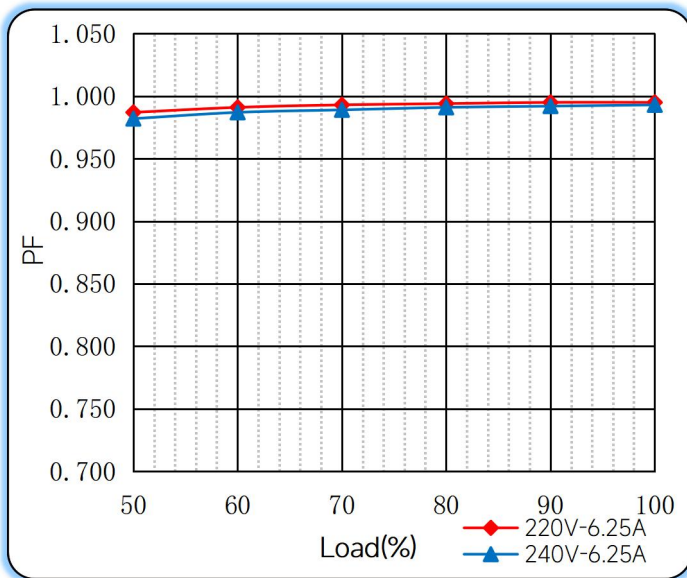
Lifetime vs. Temperature Curve



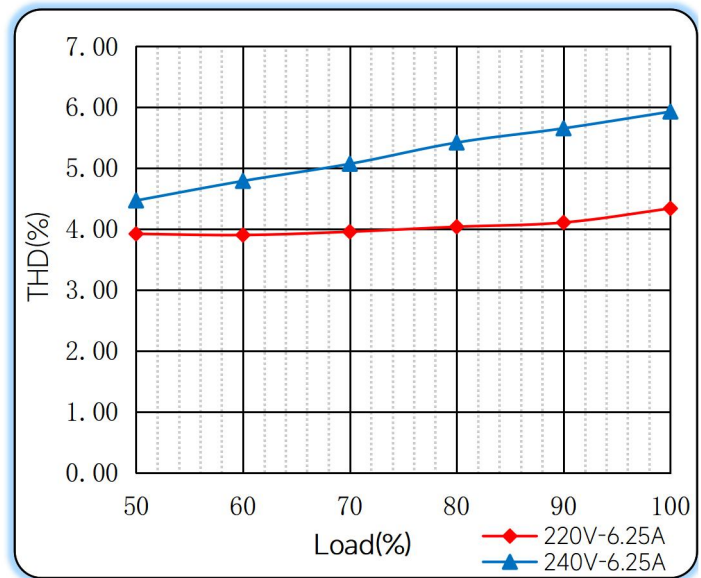
Efficiency vs. Load



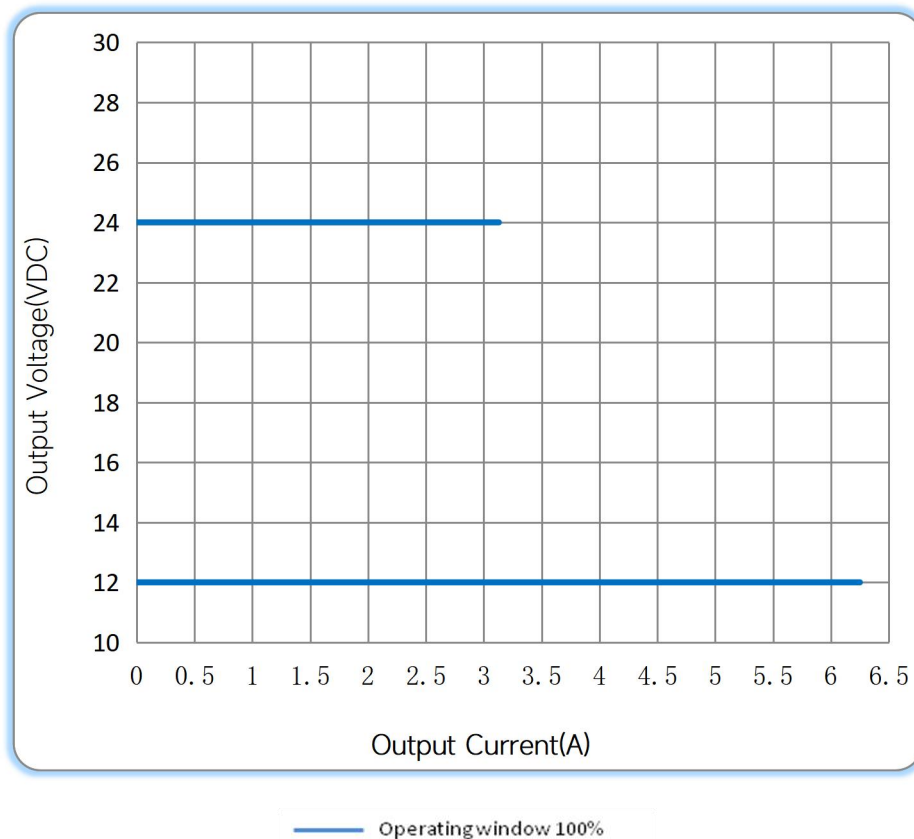
Power Factor Characteristics



THD vs. Load



◆ Operating window



◆ Revision Updates

| ITEM | BEFORE | AFTER | VERSION | DATE |
|---------|--------|-------|---------|------------|
| Initial | | | A | 2023/07/12 |
| | | | | |

Remark: The final interpretation of the contents of the specification belongs to Eaglerise Electric & Electronic (China) Co., Ltd.

Tel: +86-0757-86256822, +86-0757-86256831

E-mail: sales@eaglerise.com

Website : <https://lighting.eaglerise.com>



EAGLERISE



Manual